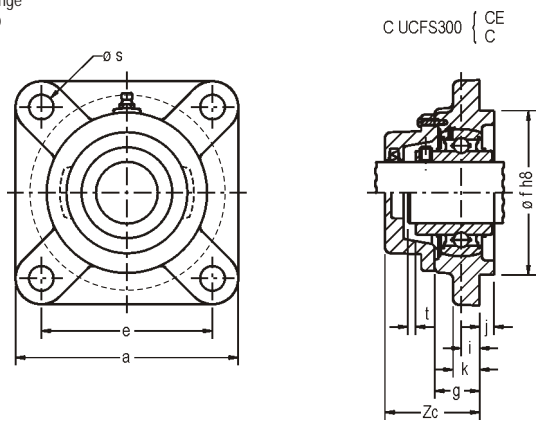


Ø eixo mm pol	Caixa	Dimensão nominal (mm)										Paraf.
		a	e	i	s	j	k	g	f	t	Zc	
25 1	FS 305	110	80,0	9,0	16,0	7	13	22	80,0	2	49	M14 1/2
30 1-3/16	FS 306	125	95,0	10,0	16,0	8	15	24	90,0	2	52	M14 1/2
1-1/4 35 1-7/16	FS 307	135	100,0	11,0	19,0	9	16	27	100,0	3	58	M16 5/8
1-1/2 40	FS 308	150	112,0	13,0	19,0	10	17	30	115,0	3	66	M16 5/8
1-11/16 1-3/4 45	FS 309	160	125,0	14,0	19,0	11	18	33	125,0	3	69	M16 5/8
1-7/8 1-15/16 50	FS 310	175	132,0	16,0	23,0	12	19	36	140,0	3	76	M20 3/4
2 55 2-3/16	FS 311	185	140,0	17,0	23,0	13	20	39	150,0	4	80	M20 3/4
2-1/4 2-5/16 60 2-7/16 65	FS 312	195	150,0	19,0	23,0	14	22	42	160,0	4	86	M20 3/4
2-1/2 65	FS 313	208	166,0	15,0	23,0	18	22	40	175,0	4	85	M20 3/4
2-11/16 70	FS 314	226	178,0	18,0	25,0	18	25	43	185,0	4	88	M22 7/8
2-15/16 75 3	FS 315	236	184,0	21,0	25,0	18	25	48	200,0	4	96	M22 7/8
80 3-3/16	FS 316	250	196,0	18,0	31,0	20	27	48	210,0	4	96	M27 1

Peso (Kg)				D	Rolamentos								
UCFS3	CUCFS3 C(E)	UGFS3 GFS3	UKFS3		UC 300		UG 300 / G 300		UK 300				
				z1	Bi1	z2	Bi2	Ø Eixo	Bucha	z3	Bi3		
1,30	1,80	1,40	1,30	62,0	32	38,0	39	46,8	3/4 20	HE2305 H2305	30	35,0	
2,00	2,40	2,10	1,90	72,0	36	43,0	43	50,0	7/8 15/16 25 1	HS2306 HA2306 H2306 HE2306	33	38,0	
2,30	2,80	2,30	2,30	80,0	40	48,0	44	51,6	1-1/8 30 1-3/16	HS2307 H2307 HA2307	36	43,0	
3,10	3,70	3,20	2,90	90,0	46	52,0	50	57,1	1-1/4 1-5/16 1-3/8 35	HE2308 HA2308 HS2308 H2308	40	46,0	
3,90	4,60	4,10	3,80	100,0	49	57,0	53	58,7	1-7/16 1-1/2 40 1-5/8	HA2309 HE2309 H2309 HS2309	44	50,0	
4,80	5,60	5,00	4,50	110,0	55	61,0	58	66,6	1-11/16 1-3/4 45	HA2310 HE2310 H2310	48	55,0	
5,50	6,90	5,90	5,40	120,0	57	66,0	62	73,0	1-7/8 1-15/16 50 2	HS2311 HA2311 H2311 HE2311	50	59,0	
7,10	9,50	7,40	6,50	130,0	62	71,0	66	76,5	2-1/8 55	HS2312 H2312	55	62,0	
8,80	11,30	9,20	8,20	140,0	60	75,0	68	85,7	2-3/16 2-1/4 60 2-3/8	HA2313 HE2313 H2313 HS2313	53	65,0	
11,30	14,40	11,90	-	150,0	63	78,0	76	92,1	-	-	-	-	
12,50	16,20	13,60	12,00	160,0	61	82,0	84	100,0	2-1/2 65	HE2315 H2315	63	73,0	
15,40	20,70	16,50	14,40	170,0	70	86,0	84	106,4	2-3/4 70	HE2316 H2316	62	78,0	



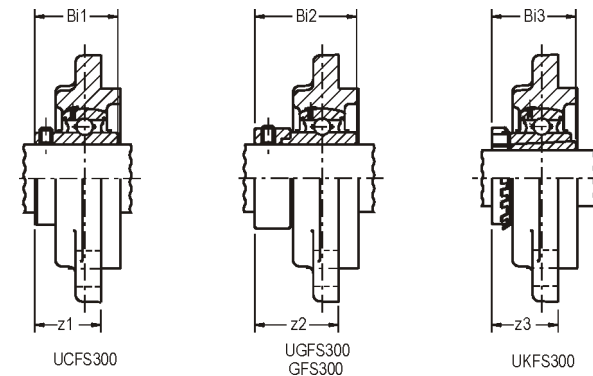
Ø eixo mm pol	Caixa	Dimensão nominal (mm)										Paraf.
		a	e	i	s	j	k	g	f	t	Zc	
85	FS 317	260	204,0	24,0	31,0	20	27	54	220,0	5	109	M27 1
3-7/16 90	FS 318	280	216,0	24,0	35,0	20	30	56	240,0	5	109	M30 1-1/8
95 100	FS 319	290	228,0	39,0	35,0	20	30	74	250,0	5	129	M30 1-1/8
100 3-15/16 4	FS 320	310	242,0	39,0	38,0	20	32	74	260,0	5	134	M33 1-1/4
105	FS 321 ⁽¹⁾	310	242,0	39,0	38,0	20	32	74	260,0	5	136	M33 1-1/4
110	FS 322 ⁽²⁾	340	266,0	35,0	41,0	25	35	71	300,0	5	135	M36 1-3/8
120	FS 324	370	290,0	35,0	41,0	30	40	80	330,0	5	142	M36 1-3/8
130	FS 326 ⁽³⁾	410	320,0	35,0	41,0	30	45	85	360,0	6	148	M36 1-3/8
140	FS 328 ⁽⁴⁾	450	350,0	45,0	41,0	30	55	95	400,0	6	162	M36 1-3/8

⁽¹⁾ - montado com rolamentos UC321D1 e UEL321D1W3 NTN em lugar de UC 300 e UG 300 / G 300, respectivamente.

⁽²⁾ - montado com rolamento UEL322D1W3 NTN em lugar de UG 300 / G 300.

⁽³⁾ - montado com rolamento UK326D1 NTN em lugar de UK 300.

⁽⁴⁾ - montado com rolamentos UC328D1 e UK328D1 NTN em lugar de UC 300 e UK 300, respectivamente.



Peso (Kg)				D	Rolamentos									
UCFS3	CUCFS3 C(E)	UGFS3 GFS3	UKFS3		UC 300		UG 300 / G 300		UK 300					
				z1	Bi1	z2	Bi2	Ø Eixo	Bucha	z3	Bi3			
16,90	21,50	18,00	15,40	180,0	80	96,0	91	109,5	75 3	H2317 HE2317	72	82,0		
21,00	26,00	23,00	21,00	190,0	80	96,0	96	115,9	80	H2318 H2319	72	86,0		
25,50	29,20	27,00	25,30	200,0	101	103,0	122	122,3	3-1/4 85	HE2319 H2319	91	90,0		
28,00	35,80	29,90	27,70	215,0	105	108,0	118	128,6	3-1/2 90	HE2320 H2320	93	97,0		
29,10	36,90	31,50	-	225,0	107	112,0	130	139,7	-	-	-	-		
35,50	42,90	38,40	35,60	240,0	106	117,0	127	141,3	100 4	H2322 HE2322	96	105,0		
47,40	57,20	-	46,90	260,0	110	126,0	-	-	110	H2324	100	112,0		
71,00	84,00	-	61,00	280,0	116	135,0	-	-	115	H2326	103	121,0		
87,70	104,20	-	88,10	300,0	131	145,0	-	-	125	H2328	116	131,0		