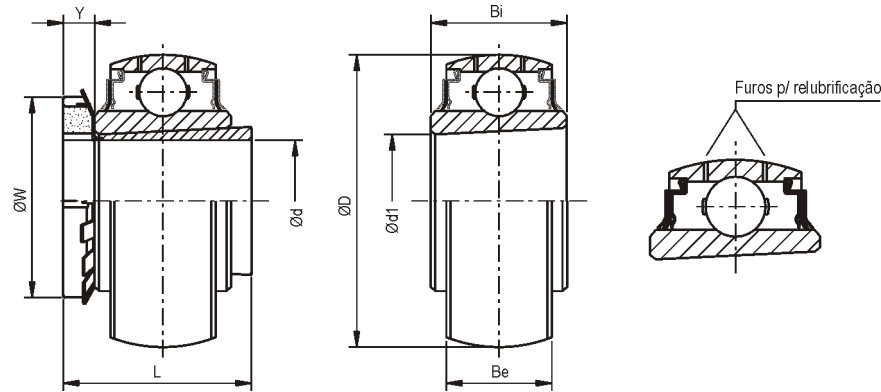


# Rolamento

## UK 200 Rolamento esférico com fixação por bucha adaptadora Serviço Normal



Ø eixo mm pol	Rolamento	Bucha	Dimensão nominal (mm)							Cargas (Kgf)		Peso (Kg)
			D	Bi	Be	L	W	d1	Y	dinâmica Cr	estática Cor	
3/4 20	UK 205 V22	HE2305 H2305	52,0	21,0	17,0	35,0	38,0	25,0	8,0	1430	800	0,25
7/8 15/16 25 1	UK 206 V22	HS2306 HA2306 H2306 HE2306	62,0	25,0	19,0	38,0	45,0	30,0	8,0	2000	1140	0,40
1-1/8 30	UK 207 V22	HS2307 H2307	72,0	27,0	20,0	43,0	52,0	35,0	9,0	2640	1550	0,55
1-3/16 1-1/4 1-5/16 1-3/8 35	UK 208 V22	HE2308 HA2308 HS2308 H2308	80,0	29,0	21,0	46,0	58,0	40,0	10,0	2990	1860	0,70
1-7/16 1-1/2 40	UK 209 V22	HA2309 HE2309 H2309	85,0	30,0	22,0	50,0	65,0	45,0	11,0	3350	2120	0,75
1-5/8 1-11/16 1-3/4 45	UK 210 V22	HA2310 HE2310 H2310	90,0	31,0	24,0	55,0	70,0	50,0	12,0	3600	2370	0,90
1-7/8 1-15/16 50 2	UK 211 V22	HS2311 HA2311 H2311 HE2311	100,0	33,0	25,0	59,0	75,0	55,0	12,0	4400	2980	1,15
2-1/8 55	UK 212 V22	HS2312 H2312	110,0	36,0	27,0	62,0	80,0	60,0	13,0	5350	3350	1,45
2-3/16 2-1/4 60	UK 213 V22	HA2313 HE2313 H2313 HS2313	120,0	36,0	28,0	65,0	85,0	65,0	14,0	5850	4080	1,80
2-3/8 2-1/2 65	UK 215 V22	HE2315 H2315	130,0	41,0	30,0	73,0	98,0	75,0	15,0	6750	5050	2,60
2-3/4 70	UK 216 V22	HE2316 H2316	140,0	44,0	33,0	78,0	105,0	80,0	17,0	7400	5530	3,30
75 3	UK 217 V22	H2317 HE2317	150,0	44,0	35,0	82,0	110,0	85,0	18,0	8500	6510	3,90
80	UK 218 V22	H2318	160,0	48,0	38,0	86,0	120,0	90,0	18,0	9750	7300	4,70