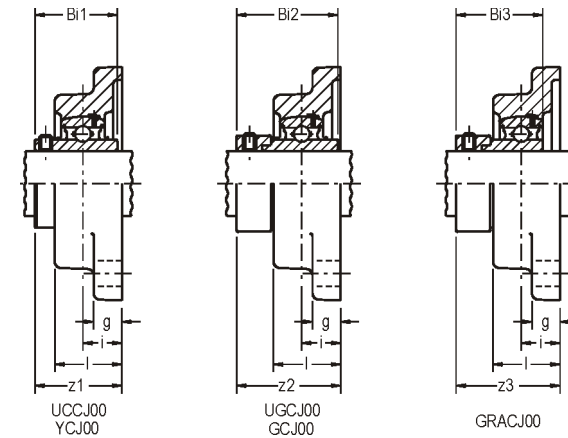


Ø eixo mm pol	Caixa	Dimensão nominal (mm)						Paraf.
		a	e	i	g	l	s	
12 1/2	CJ 03 ⁽¹⁾	76	54,0	17,0	9	27	11,5	M10 3/8
15 5/8								
17 3/4	CJ 04	86	63,5	19,0	10	29	11,5	M10 3/8
20								
7/8 15/16	CJ 05	95	70,0	19,0	11	29	11,5	M10 3/8
25								
1 1-1/16	CJ 06	108	82,5	20,0	12	29	11,5	M10 3/8
1-1/8								
30 1-3/16	CJ 07	118	92,0	21,0	12	30	14,0	M12 1/2
1-1/4								
1-1/4 1-5/16	CJ 08	130	101,5	24,0	13	34	14,0	M12 1/2
1-3/8								
35 1-7/16	CJ 09	137	105,0	24,0	13	35	14,0	M12 1/2
40								
1-9/16 1-5/8	CJ 10	143	111,0	28,0	13	39	18,0	M16 5/8
1-11/16								
1-3/4 45	CJ 11	162	130,0	31,0	15	43	18,0	M16 5/8
1-13/16								
1-7/8 1-15/16	CJ 12	175	143,0	34,0	16	46	18,0	M16 5/8
50								
2 2								
2-1/8 55								
2-3/16 2-1/4								
60 2-3/8 2-7/16								

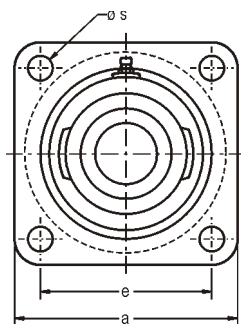
⁽¹⁾ - montado com rolamento B203 V22 FRM em lugar de UC 200.



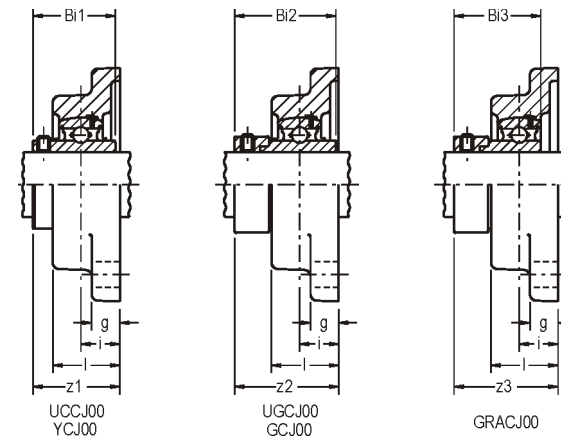
Peso (Kg)			D	UC 200 / Y 200		UG 200 / G 200		GRA 200	
UCCJ00 YCJ00	UGCJ00 GCJ00	GRACJ00		z1	Bi1	z2	Bi2	z3	Bi3
0,50	-	0,60	40,0	33	22,0	-	-	39	28,6
0,70	0,70	0,70	47,0	37	31,0	45	43,5	42	31,0
0,80	0,90	0,80	52,0	39	34,0	46	44,3	42	31,0
1,10	1,20	1,10	62,0	42	38,1	50	48,3	47	35,7
1,50	1,60	1,60	72,0	46	42,9	53	51,1	50	38,9
2,00	2,10	1,90	80,0	54	49,2	59	56,3	57	43,7
2,20	2,40	2,10	85,0	54	49,2	59	56,3	57	43,7
2,50	2,70	2,30	90,0	61	51,6	66	62,7	61	43,7
3,20	3,50	2,70	100,0	64	55,6	75	71,3	67	48,3
4,00	4,40	3,10	110,0	74	65,1	81	77,7	75	53,1

Conjunto

CJ 00 Mancal tipo Flange
 Serviço Normal
 CJ=FU=F=CJ=FY(J)=SF



Ø eixo mm pol	Caixa	Dimensão nominal (mm)						Paraf.
		a	e	i	g	l	s	
2-1/2 65	CJ 13	188	150,0	38,0	18	52	18,0	M16 5/8
2-11/16 2-3/4 70	CJ 14	188	150,0	38,0	18	52	18,0	M16 5/8
2-15/16 75 3	CJ 15	197	153,0	41,3	20	56	23,0	M20 3/4
80 3-3/16	CJ 16	197	153,0	41,3	20	56	23,0	M20 3/4
3-1/2 90	CJ 18	235	187,0	23,8	22	40	23,0	M20 3/4
100 4	CJ 20	265	210,0	28,0	25	70	27,0	M24 1
120	CJ 24	305	240,0	31,0	28	51	30,0	M27 1-1/8



Peso (Kg)			D	Rolamentos					
UCCJ00 YCJ00	UGCJ00 GCJ00	GRACJ00		UC 200 / Y 200 z1	UG 200 / G 200 z2	Bi1	Bi2	GRA 200 z3	Bi3
5,40	6,00	-	120,0	70	65,1	82	85,7	-	-
5,10	5,80	-	125,0	82	74,6	90	85,7	-	-
7,40	8,00	-	130,0	86	77,8	96	92,1	-	-
6,70	7,00	-	140,0	91	82,6	99	95,2	-	-
9,60	9,00	-	160,0	80	96,0	70	69,5	-	-
17,10	15,90	-	180,0	94	108,0	70	78,2	-	-
-	19,30	-	215,0	-	-	88	85,1	-	-