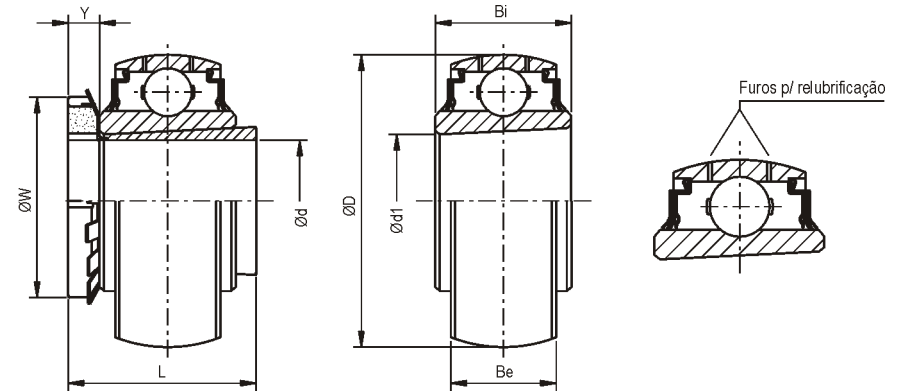


UK 300 Rolamento esférico com fixação por bucha adaptadora
Serviço Pesado



Ø eixo mm pol	Rolamento	Bucha	Dimensão nominal (mm)							Cargas (Kg)		Peso (Kg)
			D	Bi	Be	L	W	d1	Y	dinâmica Cr	estática Cor	
3/4 20	UK 305 V22	HE2305 H2305	62,0	27,0	21,0	35,0	38,0	25,0	8,0	2280	1170	0,40
7/8 15/16 25 1	UK 306 V22	HS2306 HA2306 H2306 HE2306	72,0	30,0	24,0	38,0	45,0	30,0	8,0	2760	1550	0,45
1-1/8 30 1-3/16	UK 307 V22	HS2307 H2307 HA2307 HE2307	80,0	33,0	25,0	43,0	52,0	35,0	9,0	3420	1960	0,75
1-1/4 1-5/16 1-3/8 35	UK 308 V22	HA2308 HS2308 H2308	90,0	35,0	28,0	46,0	58,0	40,0	10,0	4140	2450	0,80
1-7/16 1-1/2 40 1-5/8	UK 309 V22	HA2309 HE2309 H2309 HS2309	100,0	38,0	30,0	50,0	65,0	45,0	11,0	5410	3250	1,20
1-11/16 1-3/4 45	UK 310 V22	HA2310 HE2310 H2310	110,0	40,0	32,0	55,0	70,0	50,0	12,0	6300	3860	1,35
1-7/8 1-15/16 50 2	UK 311 V22	HS2311 HA2311 H2311 HE2311	120,0	43,0	34,0	59,0	75,0	55,0	12,0	7300	4570	1,80
2-1/8 55	UK 312 V22	HS2312 H2312	130,0	47,0	36,0	62,0	80,0	60,0	13,0	8330	5290	2,05
2-3/16 2-1/4 60 2-3/8	UK 313 V22	HA2313 HE2313 H2313 HS2313	140,0	49,0	38,0	65,0	85,0	65,0	14,0	9580	6170	2,70
2-1/2 65	UK 315 V22	HE2315 H2315	160,0	55,0	42,0	73,0	98,0	75,0	15,0	11570	7840	4,00
2-3/4 70	UK 316 V22	HE2316 H2316	170,0	55,0	44,0	78,0	105,0	80,0	17,0	12540	8830	4,55
75 3	UK 317 V22	H2317 HE2317	180,0	60,0	46,0	82,0	110,0	85,0	18,0	13530	9850	5,45
80	UK 318 V22	H2318	190,0	60,0	48,0	86,0	120,0	90,0	18,0	14590	11020	6,25
3-1/4 85	UK 319 V22	HE2319 H2319	200,0	66,0	50,0	90,0	125,0	95,0	19,0	15920	12450	8,70
3-1/2 90	UK 320 V22	HE2320 H2320	215,0	68,0	54,0	97,0	130,0	100,0	20,0	17510	14290	10,80
100 4	UK 322 V22	H2322 HE2322	240,0	80,0	60,0	105,0	145,0	110,0	21,0	20900	17000	14,40
110	UK 324 V22	H2324	260,0	86,0	63,0	112,0	155,0	120,0	22,0	21100	18800	18,00