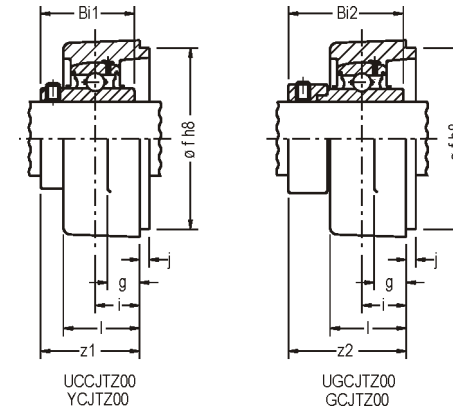


Ø eixo mm pol	Caixa	Dimensão nominal (mm)									Paraf.
		a	e	i	g	l	s	b	j	f	
3/4 20	CJTZ 04	112	90,0	19,0	10	31	11,5	60	3,5	55,0	M10 3/8
7/8 15/16 25 1	CJTZ 05	124	99,0	19,0	12	26	11,5	70	3,5	60,0	M10 3/8
1-1/16 1-1/8 30	CJTZ 06	142	116,5	17,0	12	26	11,5	83	3,0	80,0	M10 3/8
1-3/16 1-1/4 1-1/4 1-5/16 1-3/8 35 1-7/16	CJTZ 07	155	130,0	17,0	12	26	14,0	94	4,0	90,0	M12 1/2
1-1/2 40	CJTZ 08	172	143,5	20,0	13	30	14,0	105	4,0	100,0	M12 1/2
1-9/16 1-5/8 1-11/16 1-3/4 45	CJTZ 09	180	148,5	20,0	13	31	14,0	111	4,0	105,0	M12 1/2
1-13/16 1-7/8 1-15/16 50 2	CJTZ 10	190	157,0	24,0	13	35	14,0	116	4,0	105,0	M12 1/2
2-1/4 60 2-3/8 2-7/16	CJTZ 12	238	202,0	30,0	16	42	18,0	138	4,0	130,0	M16 5/8



Peso (Kg)		D	Rolamentos			
UCCJTZ00 YCJTZ00	UGCJTZ00 GCJTZ00		UC 200 / Y 200		UG 200 / G 200	
			z1	Bi1	z2	Bi2
0,50	0,50	47,0	37	31,0	45	43,5
0,70	0,80	52,0	39	34,0	46	44,3
0,90	1,00	62,0	39	38,1	47	48,3
1,20	1,30	72,0	42	42,9	49	51,1
1,60	1,80	80,0	50	49,2	55	56,3
1,90	2,10	85,0	50	49,2	55	56,3
2,10	2,40	90,0	57	51,6	62	62,7
3,80	4,10	110,0	70	65,1	77	77,7