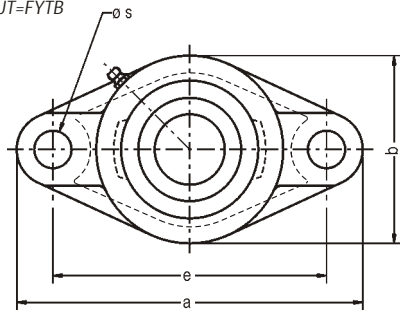
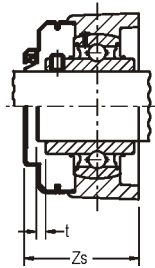


FL 200 Mancal tipo Flange
Serviço Normal

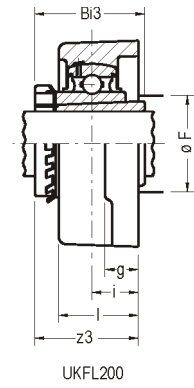
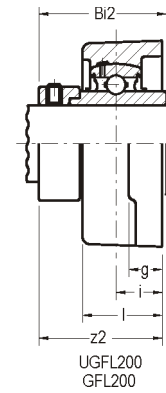
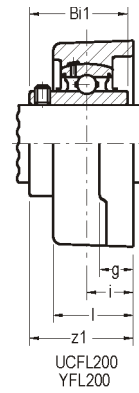
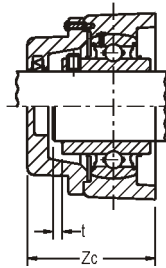
FL=CJT=FYTB



S UCFL200 { SE
S YFL200 { S



C UCFL200 { CE
C YFL200 { C

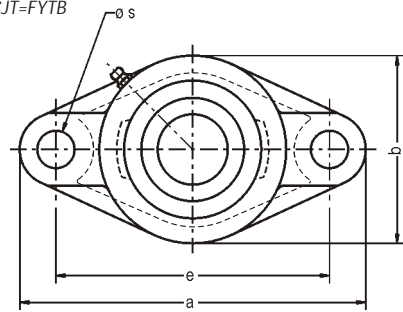


Ø eixo mm pol	Caixa	Dimensão nominal (mm)											Paraf.
		a	e	i	g	l	s	b	F(min.)	t	Zs	Zc	
12 1/2 15 5/8 17 3/4 20	FL 204	113	90,0	15,0	11	25	12,0	60	-	2	40	46	M10 3/8
7/8 15/16 25 1	FL 205	130	99,0	16,0	14	27	16,0	68	30,0	2	44	51	M14 1/2
1-1/16 1-1/8 30 1-3/16 1-1/4	FL 206	148	117,0	18,0	14	31	16,0	80	36,0	2	49	56	M14 1/2
1-1/4 1-5/16 1-3/8 35 1-7/16	FL 207	161	130,0	19,0	16	34	16,0	90	40,0	3	55	59	M14 1/2
1-1/2 40	FL 208	175	144,0	21,0	16	36	16,0	100	46,0	3	62	66	M14 1/2
1-9/16 1-5/8 1-11/16 1-3/4 45	FL 209	188	148,0	22,0	18	38	19,0	108	52,0	3	63	70	M16 5/8
1-13/16 1-7/8 1-15/16 50 2	FL 210	197	157,0	22,0	18	40	19,0	115	57,0	3	65	72	M16 5/8
2 2-1/8 55 2-3/16	FL 211	224	184,0	25,0	20	43	19,0	130	64,0	4	71	75	M16 5/8

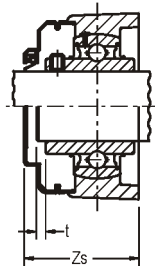
UCFL2 YFL2	Peso (Kg)				D	Rolamentos				UK 200			
	CUCFL2 CYFL2	C(E) C(E)	UGFL2 GFL2	UKFL2		UC 200 / Y 200 z1	Bi1	UG 200 / G 200 z2	Bi2	Ø Eixo	Bucha	z3	Bi3
0,50	0,70	0,50	-	47,0	33	31,0	41	43,5	-	-	-	-	
0,60	0,80	0,70	0,70	52,0	35	34,0	42	44,3	3/4 20	HE2305 H2305	34	35,0	
0,90	1,20	1,00	1,00	62,0	40	38,1	48	48,3	7/8 15/16 25 1	HS2306 HA2306 H2306 HE2306	38	38,0	
1,30	1,70	1,40	1,30	72,0	44	42,9	51	51,1	1-1/8 30 1-3/16	HS2307 H2307 HA2307	41	43,0	
1,60	2,10	1,70	1,60	80,0	51	49,2	55	56,3	1-1/4 1-5/16 1-3/8 35	HE2308 HA2308 HS2308 H2308	45	46,0	
1,90	2,40	2,10	1,90	85,0	52	49,2	56	56,3	1-7/16 1-1/2 40 1-5/8	HA2309 HE2309 H2309 HS2309	48	50,0	
2,20	2,80	2,40	2,30	90,0	54	51,6	60	62,7	1-11/16 1-3/4 45	HA2310 HE2310 H2310	49	55,0	
3,10	3,90	3,40	3,10	100,0	58	55,6	68	71,3	1-7/8 1-15/16 50 2	HS2311 HA2311 H2311 HE2311	53	59,0	

FL 200 Mancal tipo Flange
Serviço Normal

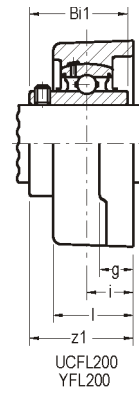
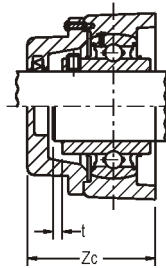
FL=CJT=FYTB



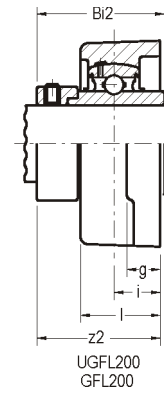
S UCFL200 { SE
S YFL200 { S



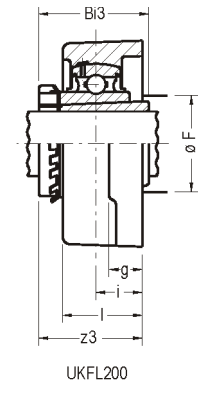
C UCFL200 { CE
C YFL200 { C



UCFL200
YFL200



UGFL200
GFL200



UKFL200

Ø eixo mm pol	Caixa	Dimensão nominal (mm)											Paraf.
		a	e	i	g	l	s	b	F(min.)	t	Zs	Zc	
2-1/4 60 2-3/8 2-7/16	FL 212	250	202,0	29,0	20	48	23,0	140	69,0	4	80	86	M20 3/4
2-1/2 65	FL 213	258	210,0	30,0	24	50	23,0	155	74,0	4	-	90	M20 3/4
65 2-11/16 2-3/4 70	FL 214	265	216,0	31,0	24	54	23,0	160	-	4	-	98	M20 3/4
2-15/16 75 3	FL 215	275	225,0	34,0	24	56	23,0	165	84,0	4	-	102	M20 3/4
80 3-3/16	FL 216	290	233,0	34,0	24	58	25,0	180	90,0	4	-	106	M22 7/8
3-1/4 85	FL 217	305	248,0	36,0	26	63	25,0	190	95,0	5	-	114	M22 7/8
3-1/2 90	FL 218	320	265,0	40,0	26	68	25,0	205	102,0	5	-	122	M22 7/8

Peso (Kg)				D	Rolamentos								
UCFL2 YFL2	CUCFL2 CYFL2	C(E) C(E)	UGFL2 GFL2		UKFL2	UC 200 / Y 200		UG 200 / G 200		UK 200			
					z1	Bi1	z2	Bi2	Ø Eixo	Bucha	z3	Bi3	
3,90	5,30	4,30	3,80	110,0	68	65,1	75	77,7	2-1/8 55	HS2312 H2312	60	62,0	
4,80	6,70	5,50	4,90	120,0	69	65,1	81	85,7	2-3/16 2-1/4 60 2-3/8	HA2313 HE2313 H2313 HS2313	62	65,0	
5,30	6,70	6,00	-	125,0	75	74,6	82	85,7	-	-	-	-	
5,90	8,00	6,50	6,30	130,0	78	77,8	88	92,1	2-1/2 65	HE2315 H2315	69	73,0	
7,10	9,60	7,40	7,60	140,0	83	82,6	91	95,2	2-3/4 70	HE2316 H2316	73	78,0	
8,70	11,60	-	9,10	150,0	87	85,7	-	-	75 3	H2317 HE2317	76	82,0	
10,70	14,40	9,90	10,90	160,0	96	96,0	86	69,5	80	H2318	82	86,0	