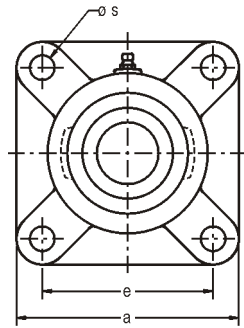


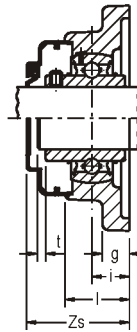
Ø eixo mm pol	Caixa	Dimensão nominal (mm)										Paraf.
		a	e	i	g	l	s	t	F(min.)	Zs	Zc	
12 1/2 15 5/8 17 3/4 20	F 204	86	64,0	15,0	11	25	12,0	2	-	40	46	M10 3/8
7/8 15/16 25 1	F 205	95	70,0	16,0	13	27	12,0	2	30,0	44	51	M10 3/8
1-1/16 1-1/8 30 1-3/16 1-1/4	F 206	108	83,0	18,0	13	31	12,0	2	36,0	49	56	M10 3/8
1-1/4 1-5/16 1-3/8 35 1-7/16	F 207	117	92,0	19,0	15	34	14,0	3	40,0	55	59	M12 1/2
1-1/2 40	F 208	130	102,0	21,0	15	36	16,0	3	46,0	62	66	M14 1/2
1-9/16 1-5/8 1-11/16 1-3/4 45	F 209	137	105,0	22,0	16	38	16,0	3	52,0	63	70	M14 1/2
1-13/16 1-7/8 1-15/16 50 2	F 210	143	111,0	22,0	16	40	16,0	3	57,0	65	72	M14 1/2
2 2-1/8 55 2-3/16	F 211	162	130,0	25,0	18	43	19,0	4	64,0	71	75	M16 5/8

Peso (Kg)				D	Rolamentos							
UCF2 YF2	CUCF2 CYF2 C(E)	C(E) GF2	UGF2 UKF2		UC 200 / Y 200 z1	Bi1	UG 200 / G 200 z2	Bi2	Ø Eixo	Bucha	UK 200 z3	Bi3
0,70	0,80	0,70	-	47,0	33	31,0	41	43,5	-	-	-	-
0,80	1,00	0,90	0,90	52,0	36	34,0	43	44,3	3/4 20	HE2305 H2305	34	35,0
1,00	1,30	1,10	1,10	62,0	40	38,1	48	48,3	7/8 15/16 25 1	HS2306 HA2306 H2306 HE2306	39	38,0
1,40	1,80	1,50	1,40	72,0	44	42,9	51	51,1	1-1/8 30 1-3/16	HS2307 H2307 HA2307	42	43,0
1,80	2,30	2,00	1,90	80,0	51	49,2	56	56,3	1-1/4 1-5/16 1-3/8 35	HE2308 HA2308 HS2308 H2308	46	46,0
2,40	2,90	2,60	2,40	85,0	52	49,2	57	56,3	1-7/16 1-1/2 40 1-5/8	HA2309 HE2309 H2309 HS2309	48	50,0
2,50	3,20	2,80	2,60	90,0	55	51,6	60	62,7	1-11/16 1-3/4 45	HA2310 HE2310 H2310	50	55,0
3,20	4,00	3,50	3,20	100,0	58	55,6	69	71,3	1-7/8 1-15/16 50 2	HS2311 HA2311 H2311 HE2311	54	59,0

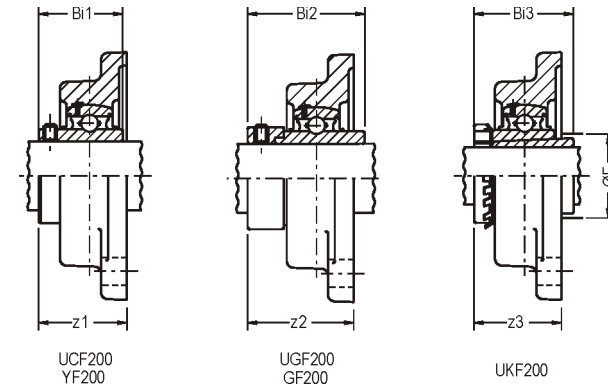
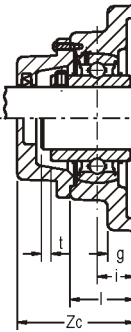
F=CJ=FY(J)=SF



S UCF200 { SE
S YF200 { S



C UCF200 { CE
C YF200 { C



Ø eixo mm pol	Caixa	Dimensão nominal (mm)										Paraf.
		a	e	i	g	l	s	t	F(min.)	Zs	Zc	
2-1/4 60 2-3/8 2-7/16	F 212	175	143,0	29,0	18	48	19,0	4	69,0	80	86	M16 5/8
2-1/2 65	F 213	187	149,0	30,0	22	50	19,0	4	74,0	-	90	M16 5/8
65 2-11/16 2-3/4 70	F 214	193	152,0	31,0	22	54	19,0	4	-	-	98	M16 5/8
2-15/16 75 3	F 215	200	159,0	34,0	22	56	19,0	4	84,0	-	102	M16 5/8
80 3-3/16	F 216	208	165,0	34,0	22	58	23,0	4	90,0	-	106	M20 3/4
3-1/4 85	F 217	227	175,0	36,0	24	63	23,0	5	95,0	-	114	M20 3/4
3-1/2 90	F 218	235	187,0	40,0	24	68	23,0	5	102,0	-	122	M20 3/4

Peso (Kg)				D	Rolamentos				UK 200			
UCF2 YF2	CUCF2 C(E) CYF2 C(E)	UGF2 GF2	UKF2		UC 200 / Y 200 z1 Bi1	UG 200 / G 200 z2 Bi2	Ø Eixo	Bucha	z3	Bi3		
3,90	5,30	4,30	3,80	110,0	69 65,1	76 77,7	2-1/8 55	HS2312 H2312	60	62,0		
4,90	6,70	5,50	4,90	120,0	70 65,1	82 85,7	2-3/16 2-1/4 60 2-3/8	HA2313 HE2313 H2313 HS2313	62	65,0		
6,00	7,40	6,60	-	125,0	75 74,6	83 85,7	-	-	-	-		
6,30	8,40	6,90	6,70	130,0	78 77,8	89 92,1	2-1/2 65	HE2315 H2315	70	73,0		
8,30	10,80	8,60	8,80	140,0	83 82,6	92 95,2	2-3/4 70	HE2316 H2316	73	78,0		
10,10	13,00	-	10,40	150,0	88 85,7	-	75 3	H2317 HE2317	76	82,0		
11,70	15,30	10,90	11,90	160,0	96 96,0	86 69,5	80	H2318	82	86,0		