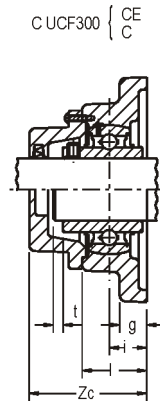
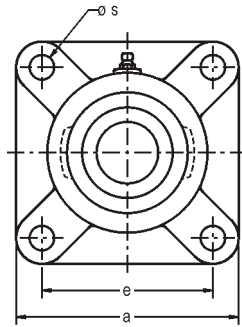


Ø eixo mm pol	Caixa	Dimensão nominal (mm)								Paraf.
		a	e	i	g	l	s	t	Zc	
25 1	F 305	110	80,0	16,0	13	29	16,0	2	56	M14 1/2
30 1-3/16	F 306	125	95,0	18,0	15	32	16,0	2	60	M14 1/2
1-1/4 35 1-7/16	F 307	135	100,0	20,0	16	36	19,0	3	68	M16 5/8
1-1/2 40	F 308	150	112,0	23,0	17	40	19,0	3	76	M16 5/8
1-11/16 1-3/4 45	F 309	160	125,0	25,0	18	44	19,0	3	80	M16 5/8
1-7/8 1-15/16 50	F 310	175	132,0	28,0	19	48	23,0	3	88	M20 3/4
2 55 2-3/16	F 311	185	140,0	30,0	20	52	23,0	4	92	M20 3/4
2-1/4 2-5/16 60 2-7/16 65	F 312	195	150,0	33,0	22	56	23,0	4	100	M20 3/4
2-1/2 65	F 313	208	166,0	33,0	22	58	23,0	4	103	M20 3/4
2-11/16 70	F 314	226	178,0	36,0	25	61	25,0	4	106	M22 7/8
2-15/16 75 3	F 315	236	184,0	39,0	25	66	25,0	4	114	M22 7/8
80 3-3/16	F 316	250	196,0	38,0	27	68	31,0	4	116	M27 1

Peso (Kg)				D	Rolamentos							
UCF3	CUCF3 C(E)	UGF3 GF3	UKF3		UC 300 z1	Bi1	UG 300 / G 300 z2	Bi2	Ø Eixo	Bucha	z3	Bi3
1,20	1,50	1,30	1,30	62,0	39	38,0	46	46,8	3/4 20	HE2305 H2305	37	35,0
1,60	2,00	1,70	1,50	72,0	44	43,0	50	50,0	7/8 15/16 25 1	HS2306 HA2306 H2306 HE2306	41	38,0
2,10	2,60	2,10	2,10	80,0	49	48,0	53	51,6	1-1/8 30 1-3/16	HS2307 H2307 HA2307	45	43,0
2,80	3,40	2,90	2,60	90,0	56	52,0	60	57,1	1-1/4 1-5/16 1-3/8 35	HE2308 HA2308 HS2308 H2308	50	46,0
3,40	4,00	3,60	3,30	100,0	60	57,0	64	58,7	1-7/16 1-1/2 40 1-5/8	HA2309 HE2309 H2309 HS2309	55	50,0
4,30	5,10	4,50	4,00	110,0	67	61,0	70	66,6	1-11/16 1-3/4 45	HA2310 HE2310 H2310	60	55,0
5,00	6,40	5,40	4,80	120,0	70	66,0	75	73,0	1-7/8 1-15/16 50 2	HS2311 HA2311 H2311 HE2311	64	59,0
6,90	9,30	7,20	6,30	130,0	76	71,0	80	76,5	2-1/8 55	HS2312 H2312	69	62,0
8,50	11,00	8,90	8,00	140,0	78	75,0	86	85,7	2-3/16 2-1/4 60 2-3/8	HA2313 HE2313 H2313 HS2313	71	65,0
10,30	13,40	10,90	-	150,0	81	78,0	94	92,1	-	-	-	-
11,00	14,70	12,00	10,40	160,0	89	82,0	102	100,0	2-1/2 65	HE2315 H2315	81	73,0
12,20	17,50	13,40	11,20	170,0	90	86,0	104	106,4	2-3/4 70	HE2316 H2316	83	78,0



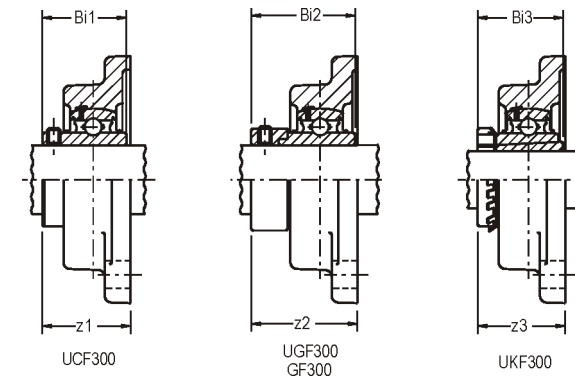
Ø eixo mm pol	Caixa	Dimensão nominal (mm)							Zc	Paraf.
		a	e	i	g	l	s	t		
85	F 317	260	204,0	44,0	27	74	31,0	5	129	M27 1
3-7/16 90	F 318	280	216,0	44,0	30	76	35,0	5	129	M30 1-1/8
95 100	F 319	290	228,0	59,0	30	94	35,0	5	149	M30 1-1/8
100 3-15/16 4	F 320	310	242,0	59,0	32	94	38,0	5	154	M33 1-1/4
105	F 321 ⁽¹⁾	310	242,0	59,0	32	94	38,0	5	156	M33 1-1/4
110	F 322 ⁽²⁾	340	266,0	60,0	35	96	41,0	5	160	M36 1-3/8
120	F 324	370	290,0	65,0	40	110	41,0	5	172	M36 1-3/8
130	F 326 ⁽³⁾	410	320,0	65,0	45	115	41,0	6	178	M36 1-3/8
140	F 328 ⁽⁴⁾	450	350,0	75,0	55	125	41,0	6	192	M36 1-3/8

⁽¹⁾ - montado com rolamentos UC321D1 e UEL321D1W3 NTN em lugar de UC 300 e UG 300 / G 300, respectivamente.

⁽²⁾ - montado com rolamento UEL322D1W3 NTN em lugar de UG 300 / G 300.

⁽³⁾ - montado com rolamento UK326D1 NTN em lugar de UK 300.

⁽⁴⁾ - montado com rolamentos UC328D1 e UK328D1 NTN em lugar de UC 300 e UK 300, respectivamente.



Peso (Kg)				D	Rolamentos							
UCF3	CUCF3 C(E)	UGF3 GF3	UKF3		z1	UC 300 Bi1	UG 300 / G 300 z2	Bi2	Ø Eixo	Bucha	UK 300 z3	Bi3
13,70	18,20	14,70	12,20	180,0	100	96,0	111	109,5	75 3	H2317 HE2317	92	82,0
19,10	24,50	21,00	17,40	190,0	100	96,0	116	115,9	80	H2318	93	86,0
22,00	25,70	23,50	21,80	200,0	121	103,0	142	122,3	3-1/4 85	HE2319 H2319	111	90,0
27,80	35,60	29,70	27,50	215,0	125	108,0	138	128,6	3-1/2 90	HE2320 H2320	113	97,0
28,90	36,70	31,30	-	225,0	127	112,0	150	139,7	-	-	-	-
37,50	45,00	40,40	37,60	240,0	131	117,0	152	141,3	100 4	H2322 HE2322	121	105,0
50,80	60,70	-	50,30	260,0	140	126,0	-	-	110	H2324	130	112,0
65,90	78,00	-	66,20	280,0	146	135,0	-	-	115	H2326	133	121,0
81,90	98,40	-	82,30	300,0	161	145,0	-	-	125	H2328	146	131,0