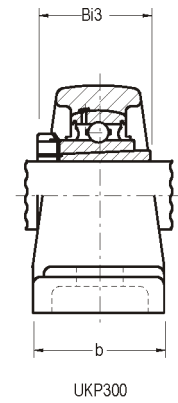
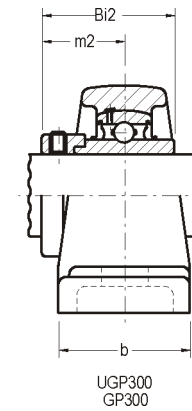
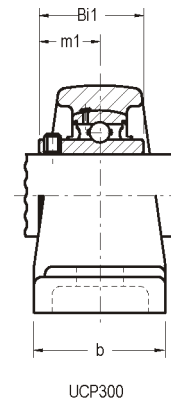
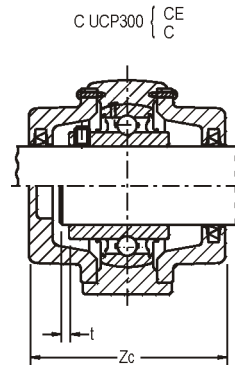
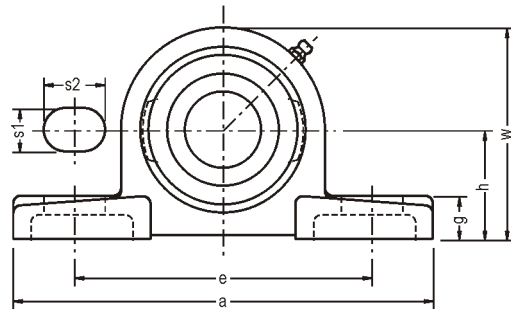


Ø eixo mm pol	Caixa	Dimensão nominal (mm)										Paraf.
		h	a	e	b	s1	s2	g	w	t	Zc	
25 1	P 305	45,0	175	132	45	17	20	17	83	2	80	M14 1/2
30 1-3/16	P 306	50,0	180	140	50	17	20	22	94	2	85	M14 1/2
1-1/4 35 1-7/16	P 307	56,0	210	160	56	17	25	22	105	3	95	M14 1/2
1-1/2 40	P 308	60,0	220	170	60	17	27	25	116	3	105	M14 1/2
1-11/16 1-3/4 45	P 309	67,0	245	190	67	20	30	26	128	3	110	M16 5/8
1-7/8 1-15/16 50	P 310	75,0	275	212	78	20	35	30	143	3	120	M16 5/8
2 55 2-3/16	P 311	80,0	310	236	80	20	38	31	154	4	125	M16 5/8
2-1/4 2-5/16 60 2-7/16 65	P 312	85,0	334	250	85	25	38	36	165	4	135	M20 3/4
2-1/2 65	P 313	90,0	340	260	90	25	38	40	174	4	140	M20 3/4
2-11/16 70	P 314	95,0	360	280	90	27	40	42	187	4	140	M22 7/8
2-15/16 75 3	P 315	100,0	383	290	100	27	40	40	201	4	150	M22 7/8

Peso (Kg)				D	Rolamentos				Ø Eixo	UK 300 Bucha	Bi3
UCP3	CUCP3 C(E)	UGP3 GP3	UKP3		UC 300 Bi1	m1	UG 300 / G 300 Bi2	m2			
1,40	2,00	1,40	1,50	62,0	38,0	23,0	46,8	30,1	3/4 20	HE2305 H2305	35,0
1,90	2,70	2,00	1,80	72,0	43,0	26,0	50,0	32,5	7/8 15/16 25 1	HS2306 HA2306 H2306 HE2306	38,0
2,80	3,80	2,80	2,70	80,0	48,0	29,0	51,6	33,3	1-1/8 30 1-3/16	HS2307 H2307 HA2307	43,0
3,30	4,40	3,40	3,10	90,0	52,0	33,0	57,1	37,3	1-1/4 1-5/16 1-3/8 35	HE2308 HA2308 HS2308 H2308	46,0
4,30	5,60	4,50	4,20	100,0	57,0	35,0	58,7	38,9	1-7/16 1-1/2 40 1-5/8	HA2309 HE2309 H2309 HS2309	50,0
5,80	7,50	6,00	5,50	110,0	61,0	39,0	66,6	42,0	1-11/16 1-3/4 45	HA2310 HE2310 H2310	55,0
7,70	10,50	8,10	7,50	120,0	66,0	40,0	73,0	45,2	1-7/8 1-15/16 50 2	HS2311 HA2311 H2311 HE2311	59,0
9,20	14,00	9,50	8,60	130,0	71,0	43,0	76,5	47,0	2-1/8 55	HS2312 H2312	62,0
10,50	15,50	11,00	9,90	140,0	75,0	45,0	85,7	53,2	2-3/16 2-1/4 60 2-3/8	HA2313 HE2313 H2313 HS2313	65,0
12,10	18,20	12,70	-	150,0	78,0	45,0	92,1	58,0	-	-	-
15,70	23,10	16,70	15,10	160,0	82,0	50,0	100,0	62,7	2-1/2 65	HE2315 H2315	73,0



Ø eixo mm pol	Caixa	Dimensão nominal (mm)										Paraf.
		h	a	e	b	s1	s2	g	w	t	Zc	
80 3-3/16	P 316	106,0	400	300	110	27	40	45	209	4	155	M22 7/8
85	P 317	112,0	420	320	110	33	45	43	221	5	170	M27 1
3-7/16 90	P 318	118,0	430	330	110	33	43	50	235	5	170	M27 1
95 100	P 319	125,0	470	360	122	38	50	52	253	5	180	M30 1-1/8
100 3-15/16 4	P 320	140,0	490	380	120	36	50	55	277	5	190	M30 1-1/8
105	P 321 <sup>(1)</sup>	140,0	498	383	122	36	50	57	280	5	195	M30 1-1/8
110	P 322 <sup>(2)</sup>	150,0	525	397	140	40	55	57	297	5	200	M33 1-1/4
120	P 324	160,0	565	450	140	40	55	67	320	5	215	M33 1-1/4
130	P 326 <sup>(3)</sup>	180,0	600	480	143	40	55	80	355	6	225	M33 1-1/4
140	P 328 <sup>(4)</sup>	200,0	615	500	140	40	55	80	390	6	235	M33 1-1/4

Peso (Kg)				D	Rolamentos						
UCP3	CUCP3 C(E)	UGP3 GP3	UKP3		UC 300		UG 300 / G 300		Ø Eixo	UK 300 Bucha	Bi3
				Bi1	m1	Bi2	m2				
18,60	29,20	19,70	17,60	170,0	86,0	52,0	106,4	65,9	2-3/4 70	HE2316 H2316	78,0
21,30	30,40	21,00	19,80	180,0	96,0	56,0	109,5	67,5	75 3	H2317 HE2317	82,0
22,80	33,50	24,70	21,10	190,0	96,0	56,0	115,9	72,3	80	H2318	86,0
31,60	38,90	30,00	31,40	200,0	103,0	62,0	122,3	83,4	3-1/4 85	HE2319 H2319	90,0
34,50	50,20	36,40	34,20	215,0	108,0	66,0	128,6	78,6	3-1/2 90	HE2320 H2320	97,0
35,90	51,60	38,30	-	225,0	112,0	68,0	139,7	91,3	-	-	-
44,30	59,20	47,20	44,40	240,0	117,0	71,0	141,3	92,1	100 4	H2322 HE2322	105,0
56,70	76,40	-	56,20	260,0	126,0	75,0	-	-	110	H2324	112,0
73,50	92,00	-	73,80	280,0	135,0	81,0	-	-	115	H2326	121,0
87,00	120,00	-	87,40	300,0	145,0	86,0	-	-	125	H2328	131,0

<sup>(1)</sup> - montado com rolamentos UC321D1 e UEL321D1W3 NTN em lugar de UC 300e UG 300 / G 300, respectivamente.

<sup>(2)</sup> - montado com rolamento UEL322D1W3 NTN em lugar de UG 300 / G 300.

<sup>(3)</sup> - montado com rolamento UK326D1 NTN em lugar de UK 300.

<sup>(4)</sup> - montado com rolamento UC328D1 e UK328D1 NTN em lugar de UC 300 e UK 300, respectivamente.