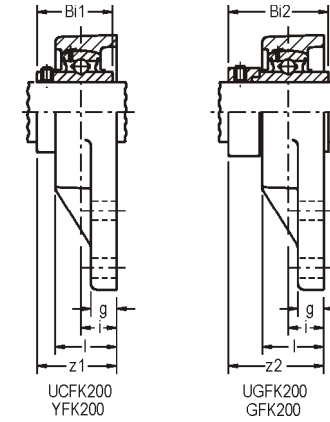


Ø eixo mm pol	Caixa	Dimensão nominal (mm)										Paraf.
		a	h	e	j	i	g	l	s	b	f	
12 1/2 15 5/8 17 3/4 20 7/8	FK 204	110	42,0	32,0	27,0	15,0	13	25	10,0	62	52	M8 5/16
15/16 25 1	FK 205	121	45,0	34,0	27,0	16,0	13	27	10,0	72	63	M8 5/16
1-1/16 1-1/8 30 1-3/16 1-1/4	FK 206	137	50,0	40,0	29,0	18,0	13	31	10,0	85	69	M8 5/16
1-1/4 1-5/16 1-3/8 35 1-7/16	FK 207	156	55,0	46,0	32,0	19,0	11	34	10,0	97	81	M8 5/16
1-1/2 40	FK 208	164	60,0	50,0	41,0	21,0	16	36	12,0	100	78	M10 3/8
1-9/16 1-5/8 1-11/16 1-3/4 45	FK 209	174	65,0	54,0	43,0	22,0	18	38	12,0	106	80	M10 3/8
1-13/16 1-7/8 1-15/16 50 2	FK 210	191	68,0	58,0	46,0	22,0	13	40	12,0	117	102	M10 7/16



Peso (Kg)		D	Rolamentos			
UCFK2 YFK2	UGFK2 GFK2		UC 200 / Y 200		UG 200 / G 200	
			z1	Bi1	z2	Bi2
0,60	0,60	47,0	33	31,0	41	43,5
0,70	0,80	52,0	36	34,0	43	44,3
1,00	1,10	62,0	40	38,1	48	48,3
1,60	1,70	72,0	44	42,9	51	51,1
1,80	1,90	80,0	51	49,2	56	56,3
2,00	2,20	85,0	52	49,2	57	56,3
2,40	2,70	90,0	55	51,6	60	62,7