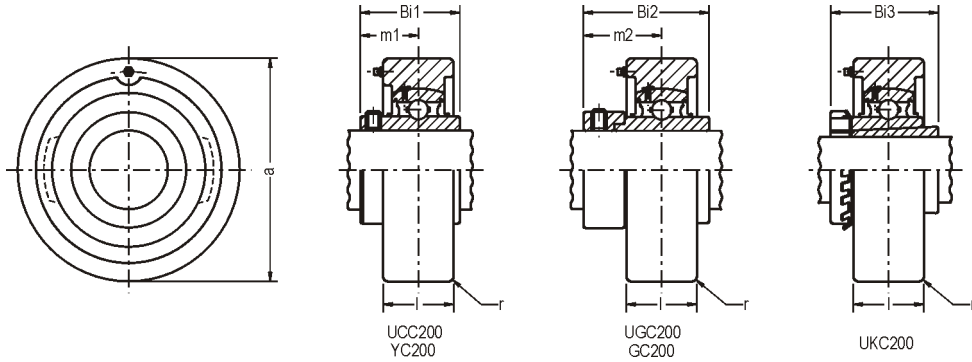


Conjunto

C 200 Mancal tipo Cartucho Serviço Normal



Ø eixo mm pol	Caixa	Dimensão nominal (mm)			Peso (Kg)			D	Rolamentos						
		a	l	r	UCC2 YC2	UGC2 GC2	UKC2		UC 200 / Y 200		UG 200 / G 200		UK 200		
								Bi1	m1	Bi2	m2	Ø Eixo	Bucha	Bi3	
12 1/2 15 5/8 17 3/4 20	C 204	72,0	20,0	2,0	0,50	0,50	-	47,0	31,0	18,3	43,5	26,5	-	-	-
7/8 15/16 25 1	C 205	80,0	22,0	2,0	0,60	0,70	0,70	52,0	34,0	19,7	44,3	26,9	3/4 20	HE2305 H2305	35,0
1-1/16 1-1/8 30 1-3/16 1-1/4	C 206	85,0	27,0	2,0	0,80	0,90	0,90	62,0	38,1	22,2	48,3	30,1	7/8 15/16 25 1	HS2306 HA2306 H2306 HE2306	38,0
1-1/4 1-5/16 1-3/8 35 1-7/16	C 207	90,0	28,0	2,0	0,90	1,00	1,00	72,0	42,9	25,4	51,1	32,3	1-1/8 30 1-3/16	HS2307 H2307 HA2307	43,0
1-1/2 40	C 208	100,0	30,0	2,5	1,20	1,40	1,30	80,0	49,2	30,2	56,3	34,9	1-1/4 1-5/16 1-3/8 35	HE2308 HA2308 HS2308 H2308	46,0
1-9/16 1-5/8 1-11/16 1-3/4 45	C 209	110,0	31,0	2,5	1,50	1,70	1,60	85,0	49,2	30,2	56,3	34,9	1-7/16 1-1/2 40 1-5/8	HA2309 HE2309 H2309 HS2309	50,0
1-13/16 1-7/8 1-15/16 50 2	C 210	120,0	33,0	2,5	1,90	2,20	2,00	90,0	51,6	32,6	62,7	38,1	1-11/16 1-3/4 45	HA2310 HE2310 H2310	55,0
2 2-1/8 55 2-3/16	C 211	125,0	35,0	2,5	2,20	2,50	2,20	100,0	55,6	33,4	71,3	43,6	1-7/8 1-15/16 50 2	HS2311 HA2311 H2311 HE2311	59,0
2-1/4 60 2-3/8 2-7/16	C 212	130,0	38,0	2,5	2,50	2,90	2,40	110,0	65,1	39,7	77,7	46,8	2-1/8 55	HS2312 H2312	62,0
2-1/2 65	C 213	140,0	40,0	3,0	2,90	3,50	2,90	120,0	65,1	39,7	85,7	51,6	2-3/16 2-1/4 60 2-3/8	HA2313 HE2313 H2313 HS2313	65,0